



keonn

Retail RFID
Systems

AdvanGo™

Self-checkout RFID modular
system





Video

Benefits:

- Controlled reading area
- Easy integration with most software applications
- Easy installation and monitoring
- For retailers:
 - Queues reduction, thanks to a much faster payment process
 - Improved customer shopping experience, derived from a shorter payment time
 - Reduction in employee costs

Applications:

- Self checkout stations

Product overview

Hardly anything disturbs customers as much as waiting at the cash registers, and that is why self-service checkouts are increasingly gaining acceptance.

AdvanGo is an **RFID-based modular solution** that identifies faster and with higher reliability all the products a customer wants to buy. This **accelerates the payment process** and **reduces queues**, which improves the customer shopping experience and increases sales.

AdvanGo has a **special on-board software** for confining the reading area, which avoids reading unwanted RFID tags.

AdvanGo can be used together with AdvanSafe, AdvanMat or AdvanGate to provide a **complete loss prevention** system fully based on RFID UHF.

AdvanGo comes in 2 models (with 2 antennas and with 4 antennas) and can be supplied in 3 ways:



AdvanGo comprises:

- High power RFID reader
- Antennas
- RF cables
- Power supply
- Specific on-board software
- AdvanCloud platform (optional)
- Internal and external furniture (optional)

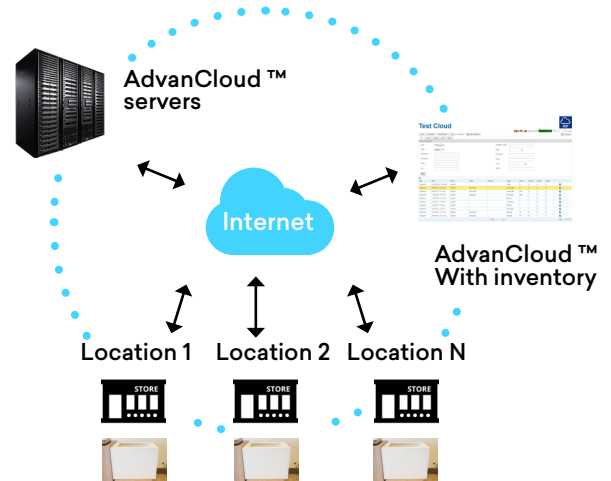
The RF hardware can be **easily assembled** to a fixture by non-skilled operators. An engineer is needed only to connect the readers to the network, check the system and connect the on-board software drivers to the application software used by the retailer.

Connection to AdvanCloud

AdvanGo can be optionally connected to AdvanCloud cloud-based software platform. The EPC codes of read RFID are reported to AdvanCloud, which gives full traceability at item level.

This information can then be analyzed for business intelligence purposes:

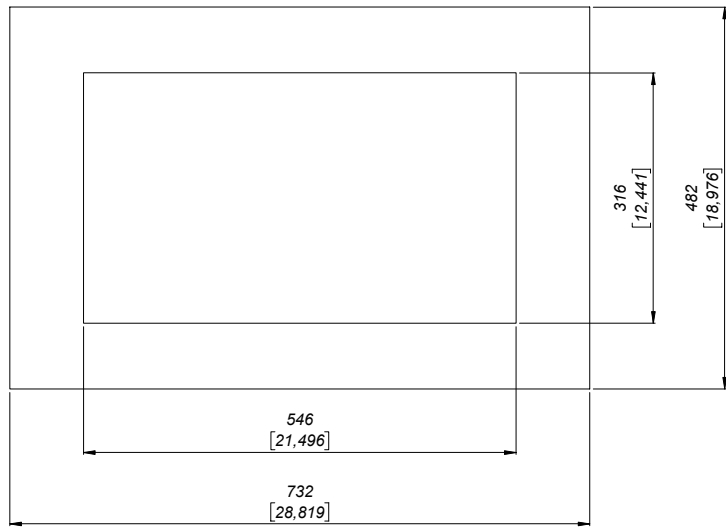
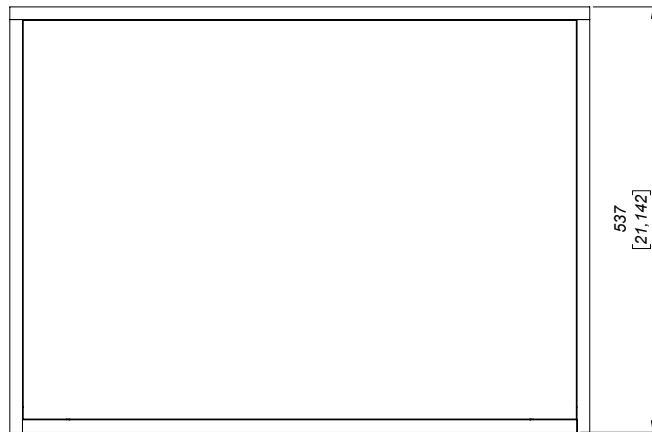
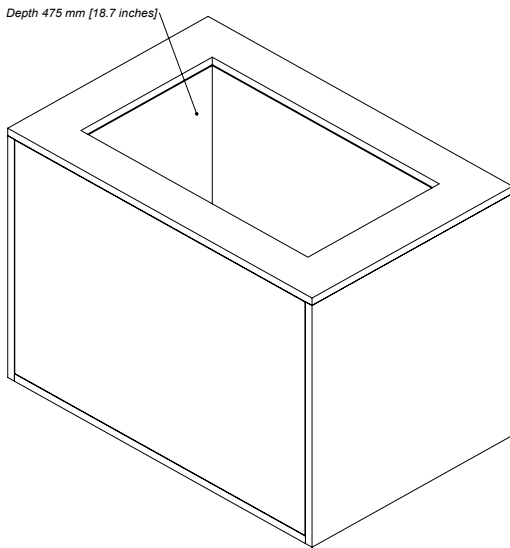
- Products sold
- Products returned
- Cross-selling
- ...



Technical specifications

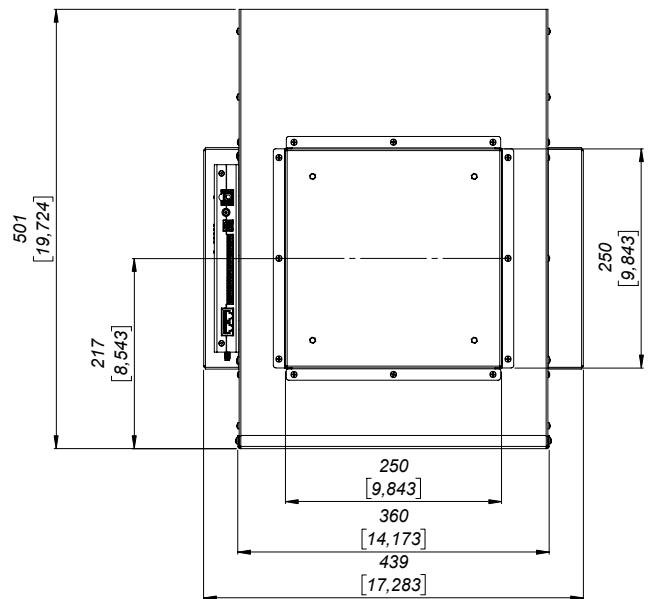
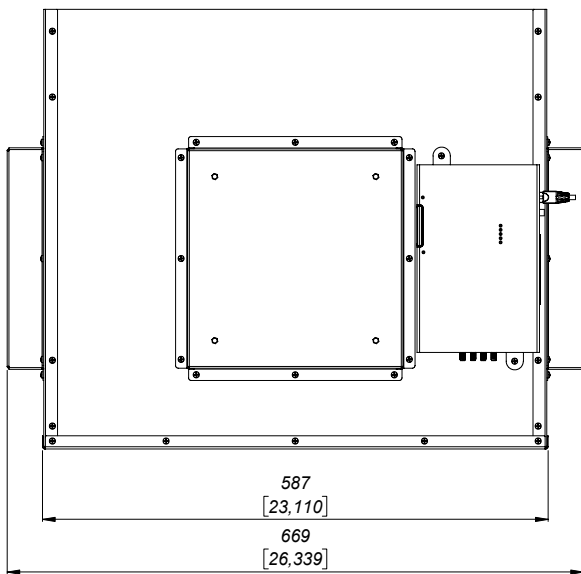
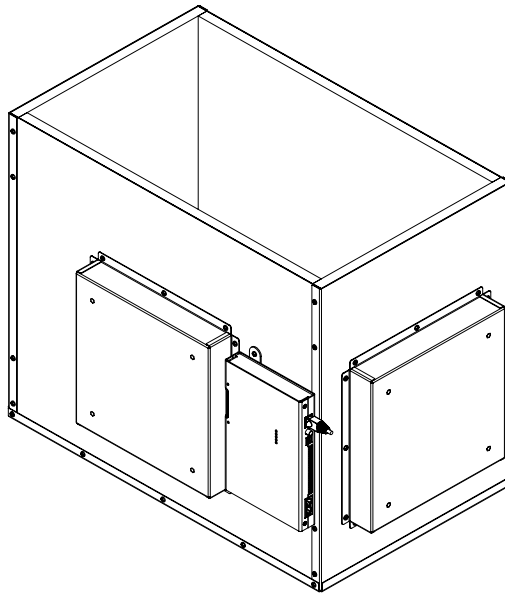
| | |
|--|--|
| Operating Frequency EU Version | 865 - 868 MHz (ETSI EN 302 208) Multiple countries are supported |
| Operating Frequency US Version | 902 - 928 MHz (FCC part 15) Multiple countries are supported |
| Materials | Can be used on metallic and non-metallic fixtures, of any color and size |
| Read rate | Typically above 99,5 % |
| Number of antennas | Depends on the type of self-checkout station |
| Reader transmitted power | max. 31,5 W |
| Communications | Ethernet, USB HID Optional: WiFi, 3G |
| Transponder Protocol Standard | ISO 18000 - 6 C EPC Class1 Gen2 |
| Drivers | Java |
| Integration | REST API, HTTP, MQTT, CSV, SQL, USB HID, CSV |
| Dimensions (with external and internal furniture and RFID electronics) | 732 mm x 482 mm x 547 mm (29 in x 19 in x 21 in) |
| Weight (with external and internal furniture and RFID electronics) | 40,5kg |
| Weight (with internal furniture and RFID electronics) | 18,6kg |

Mechanical specifications (External + internal furniture and RFID electronics)



Units in millimeters and [inches]

Mechanical specifications (Internal furniture and RFID electronics)



Units in millimeters and [inches]

Product codes for ordering

| ADGO | - | F | - | R | - | A | - | FF | - | mmm | |
|------|---|------|---|-----|---|-------|---|----|---|-----|--|
| | | | | | | | | | | | F = furniture |
| | | - | | | | | | | | | RFID electronics |
| | | IFWM | | | | | | | | | Internal furniture & RFID electronics |
| | | FWM | | | | | | | | | Internal + external furniture & RFID electronics |
| | | | | | | | | | | | R = reader |
| | | | | 160 | | | | | | | AdvanReader-160 |
| | | | | 70 | | | | | | | AdvanReader-70 |
| | | | | | | | | | | | A = number of antennas and model |
| | | | | | | 4SP11 | | | | | 4 Advantenna-SP11 |
| | | | | | | 2SP11 | | | | | 2 Advantenna-SP11 |
| | | | | | | | | | | | FF = frequency Band |
| | | | | | | | | EU | | | 865,6 MHz - 867,6 MHz |
| | | | | | | | | US | | | 902,0 MHz - 928,0 Mhz |
| | | | | | | | | | | | mmm = serie |
| | | | | | | | | | | 100 | Model number |

Examples:

ADGO-IFWM-160-4SP11-EU-100:

- AdvanGo
- Internal furniture and RFID electronics
- AdvanReader-**160**
- **4** Advantenna-**SP11**
- Frequency band: 865,6 MHz - 867,6 MHz
- Model **100**

ADGO-FWM-70-2SP11-EU-100:

- AdvanGo
- **Internal + external furniture and RFID electronics**
- AdvanReader-**70**
- **2** Advantenna-**SP11**
- Frequency band: 865,6 MHz - 867,6 MHz
- Model **100**



Copyright © Keonn Technologies S.L.
All rights reserved.

Information in this publication
supersedes all earlier versions.
Specifications subject to change
without notice.

