



FLEXIPOLE PLUS MOUNTING SOLUTION

NEW AND IMPROVED, SECURE AND FLEXIBLE

Following the success of Tailwind's FlexiPole Complete, the next generation is now available to support new devices with upgraded features, enhanced durability and an updated look and feel. The FlexiPole™ Plus from ENS is a versatile pole mount system with device-specific back plates compatible with all leading payment devices, including Ingenico, Verifone, PAX and many others. Security is designed into FlexiPole Plus through a unique latching system which securely holds the device in place. Simply select the back plate for your device and choose between Quick Release, Lockable or Tethered security options.

The FlexiPole Plus is easy to install and can accommodate cables with large, hard-wired connectors so they can be neatly and safely routed.

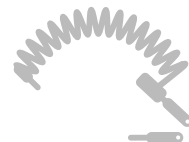
- ✓ Protect your payment device from damage, theft and criminal interference, increasing up-time
- ✓ Future proof - if you change your PIN Pad, you only need a new back plate- no need to change the stand
- ✓ Quick Release, Locking or Tethered options for further security
- ✓ Helps you to comply with accessibility/disability regulations and PCI DSS/P2PE security requirements
- ✓ The stand is exceptionally strong and durable, yet lightweight for shipping



QUICK RELEASE
Part No. ASS40121
Weight: 320g



LOCKING
Part No. ASS20121
Weight: 355g



TETHERED
Part No. ASS40121 + KEN00148
Weight: 93g

SUPPORTS ALL MAJOR PAYMENT DEVICES



ENS. Better by Design.



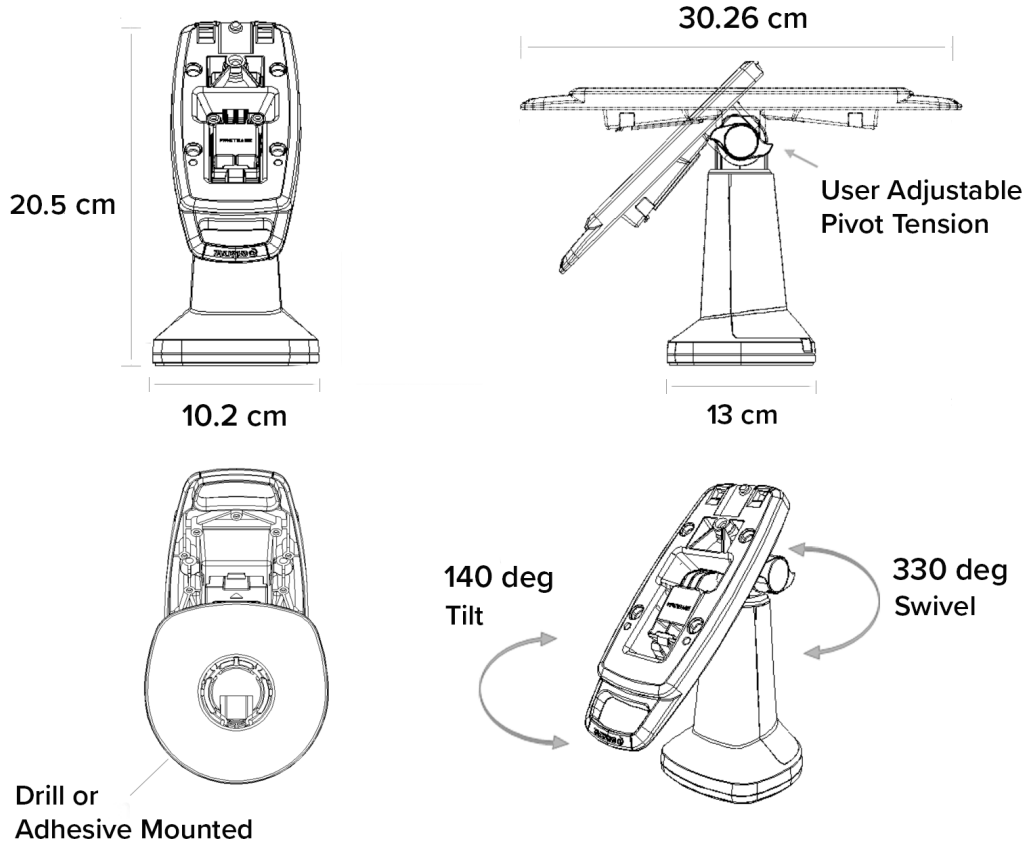
EMEA Sales: +44 (0) 1383 661237 | Email: ENSROW@ens-co.com | Visit: ens-co.co.uk

For technical or order enquiries contact:

Get in Touch ✓



TECHNICAL SPECIFICATION



WHY ENS?

- ✓ Global leader in Payment Terminal Stands: ENS has supplied solutions around the globe. We are a trusted partner to the largest retail, hospitality and financial brands. ENS has over 10 million installations worldwide
- ✓ Quality: ENS uses best in class materials, components and processes
- ✓ Innovation: Our design and engineering teams create smart and unique solutions for every customer need
- ✓ Mounting solutions for all payment requirements: Fixed, Mobile, mPOS, Mobile Charging and Drive-Thru

ENS. Better by Design.



EMEA Sales: +44 (0) 1383 661237 | Email: ENSROW@ens-co.com | Visit: ens-co.co.uk

For technical or order enquiries contact:

Get in Touch ✓